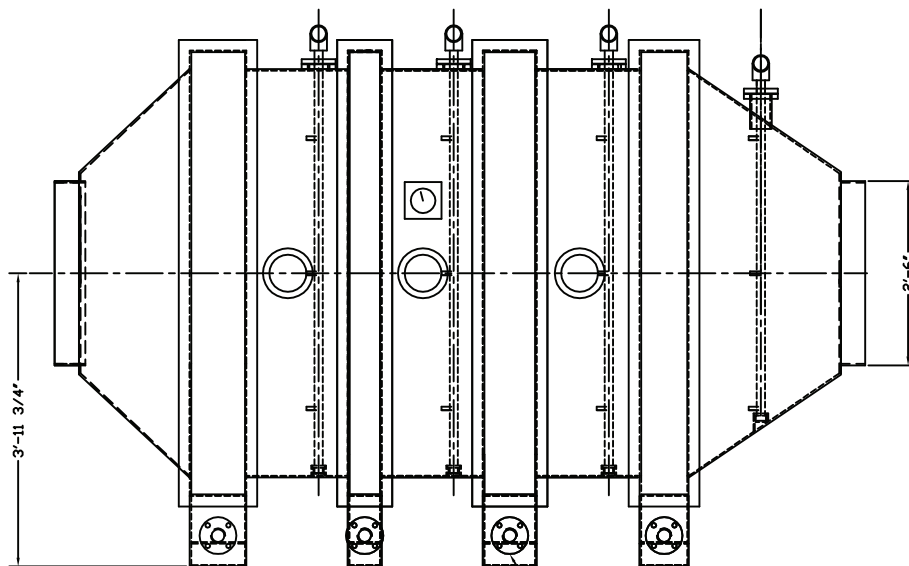
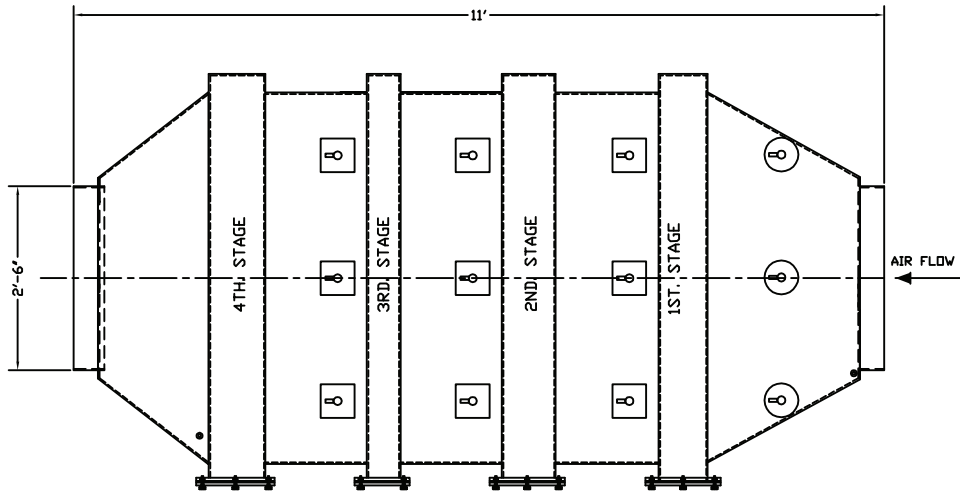


Chrome Scrubber Diagram



2" FLANGED DRAIN

PERFORMANCE DATA

MODEL: IPF HSI3.5
VOLUME: 13,500 CFM

FACE VELOCITY: 500 FPM. (STAGE-1)
500 FPM. (STAGE-2)
500 FPM. (STAGE-3)
500 FPM. (STAGE-4)

PRESSURE DROP: 0.7" W.C. (STAGE-1)
1.3" W.C. (STAGE-2)
5.8" W.C. (STAGE-3)
0.7" W.C. (STAGE-4)
TOTAL = 8.5" W.C.

EFFICIENCY: TO MEET CARB STANDARD
0.002 MG/DSCM

CONSTRUCTION: PVC
EXT. REINFORCED WITH FRP

PAD CONFIGURATION

STAGE (1-4): COMPOSITE MESH PADS

SPRAY DETAILS

STAGE-1: CONTINUOUS SPRAY
9- #1/4YS-12020-PVC
FULL CONE NOZZLES
VOL.: 2.4 GPM/NOZZLE
PRESSURE: 15 PSI.
TOTAL VOL.: 21.6 GPM.

STAGE-2: CONTINUOUS SPRAY
9- #1/4YS-12020-PVC
FULL CONE NOZZLES
VOL.: 2.4 GPM/NOZZLE
PRESSURE: 15 PSI.
TOTAL VOL.: 21.6 GPM.

STAGE-3: INTERMITTENT SPRAY
"ON" - 30 SEC. / "OFF" - 6 HR.
9- #1/4YS-12007-PVC
FULL CONE NOZZLES
VOL.: .85 GPM/NOZZLE
PRESSURE: 15 PSI.
TOTAL VOL.: 7.7 GPM.

STAGE-4: INTERMITTENT WITH FAN OFF
9- #1/4YS-12020-PVC
FULL CONE NOZZLES
VOL.: 2.4 GPM/NOZZLE
PRESSURE: 15 PSI.
TOTAL VOL.: 21.6 GPM.

