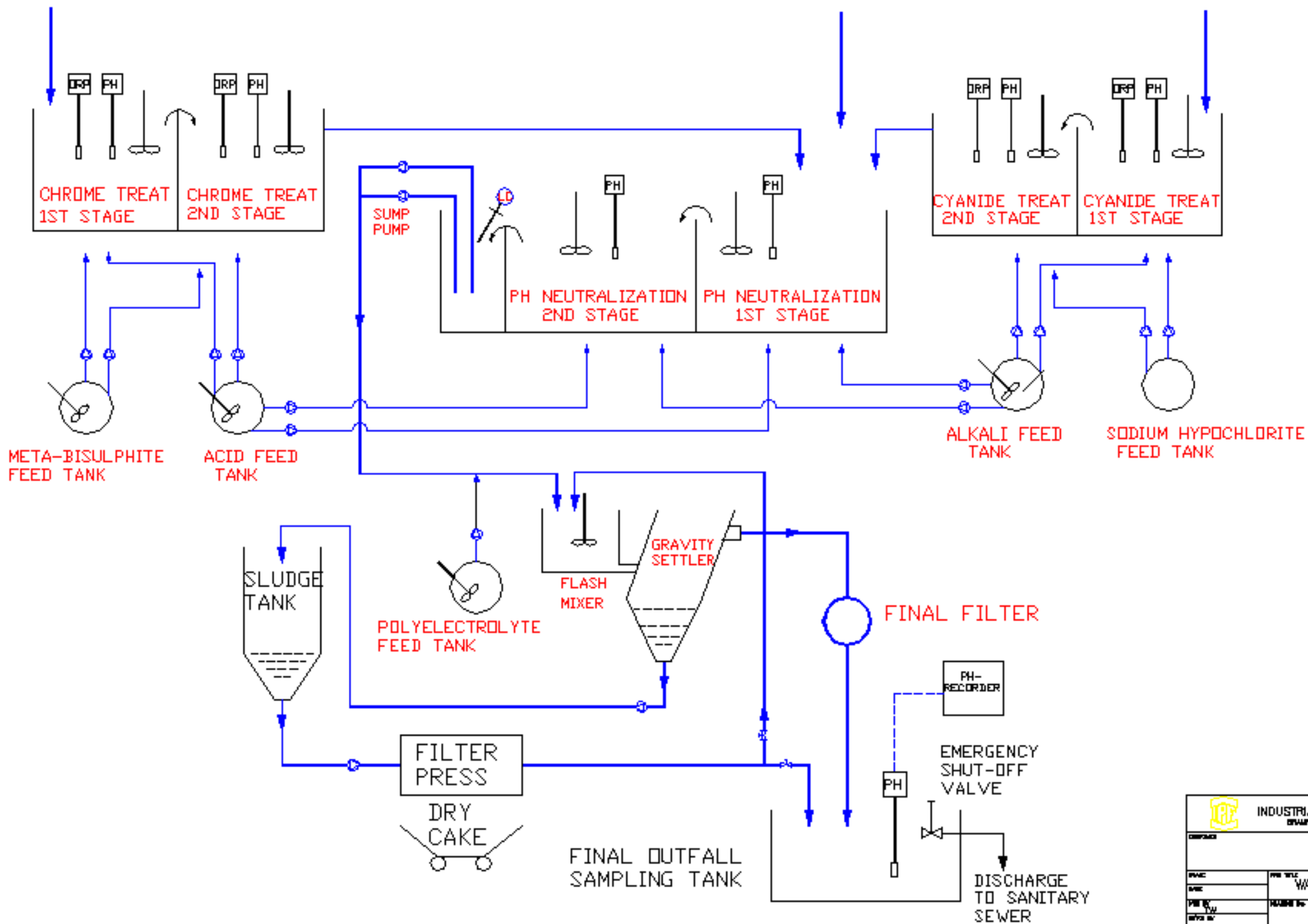



CHROMATE  
RINSE WATER

ACID/ALKALI  
RINSE WATER

CYANIDE  
RINSE WATER



 INDUSTRIAL PLASTICS FABRICATORS LTD. BRAMPTON, ONTARIO M6G 4K4-TN2	
WASTE TREATMENT SCHEMATIC	
DATE	NO. 1001
REV.	